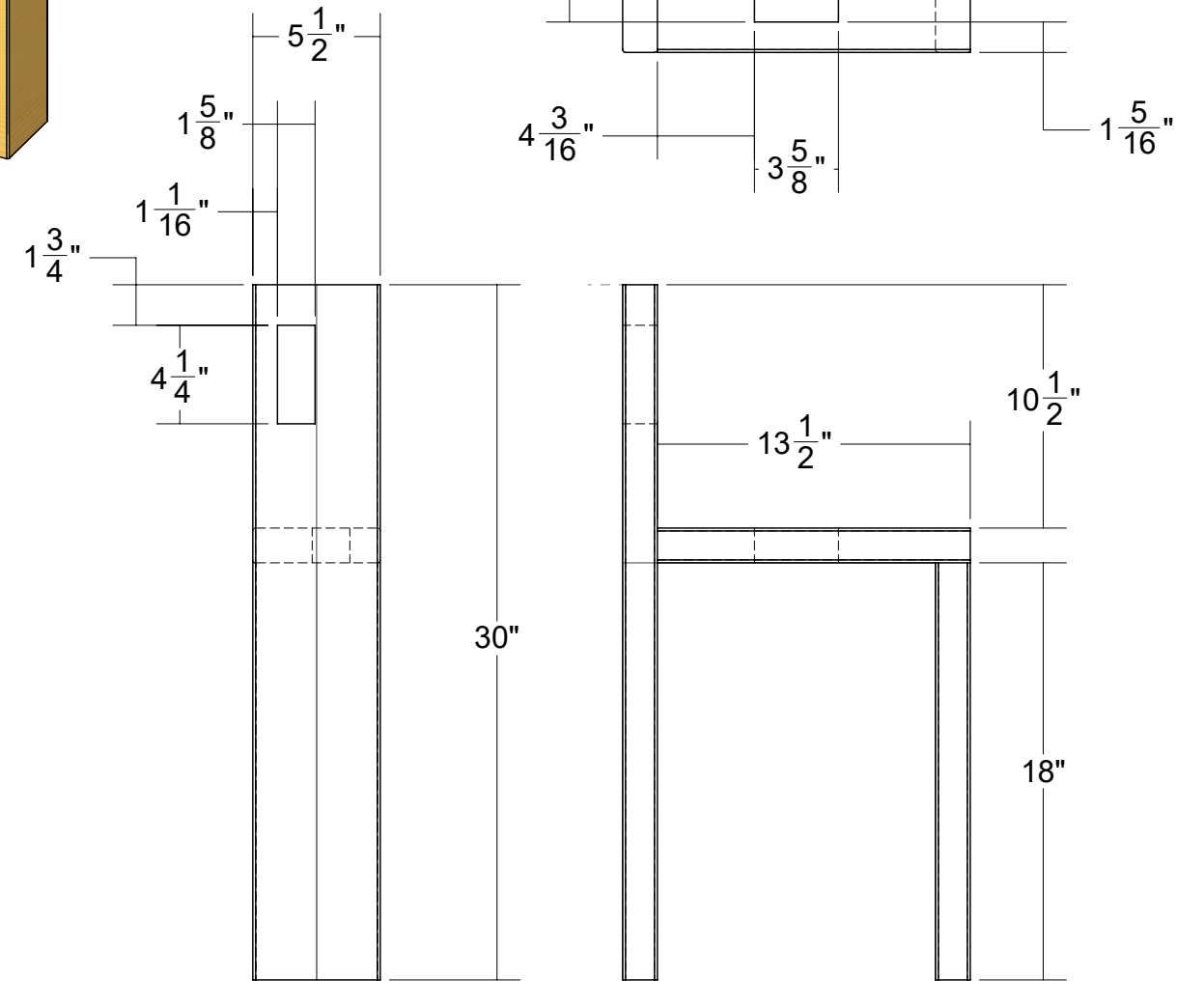
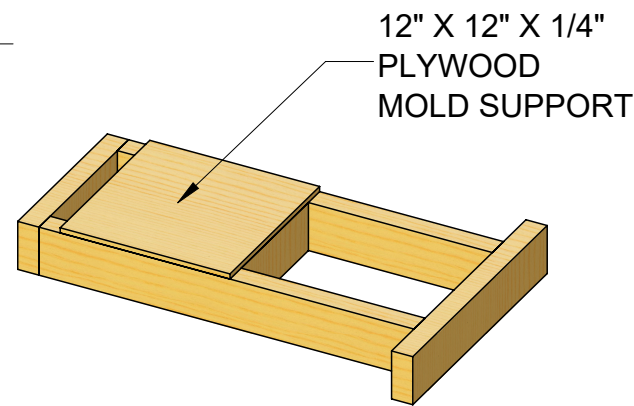
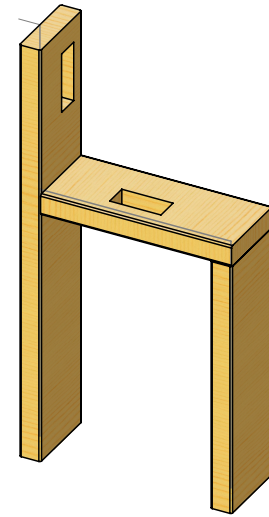
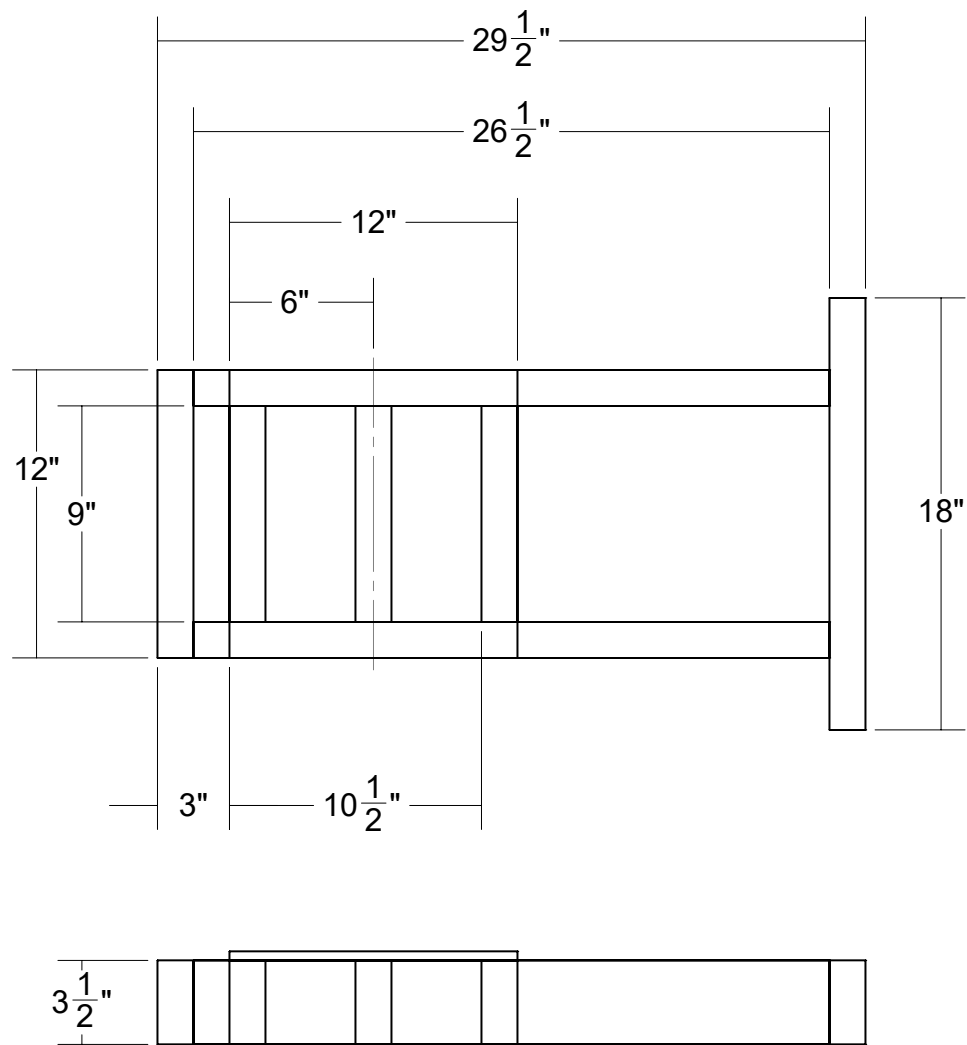


PROJECT INFO

FileName: Cheese Press 2x4 Lumber
 Sheet Scale: 1:12
 Created: 11/27/2019 9:27:42 AM
 Last Saved: 11/30/2019 11:46:14 AM
 DWG Path: I:\3D DEVELOPMENT\Solidworks-3d Dev_Cheese Press\

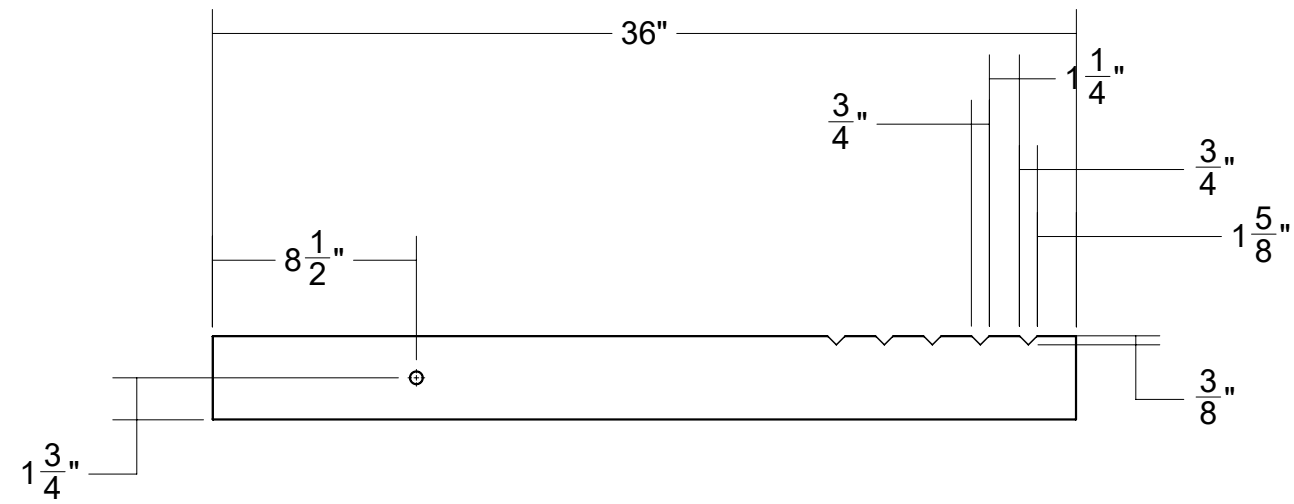
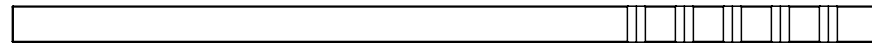


Cut List				
ITEM NO.	QTY.	DESCRIPTION	LENGTH	TOTAL LENGTH
1	2	Base Side Arms	26 1/2"	110"
2	1	Base Back	12"	110"
3	3	base inner braces	9"	110"
4	1	Base Front	18"	110"
5	1	Mold Support		

Cut List				
ITEM NO.	QTY.	DESCRIPTION	LENGTH	TOTAL LENGTH
1	1	Back Lever Support	30"	61 1/2"
2	1	Lever Stand Front	18"	61 1/2"
3	1	Top Plunger Guide	13 1/2"	61 1/2"

PROJECT INFO

FileName: Cheese Press 2x4 Lumber
 Sheet Scale: 1:12
 Created: 11/27/2019 9:27:42 AM
 Last Saved: 11/30/2019 11:46:14 AM
 DWG Path: I:\3D DEVELOPMENT\Solidworks-3d Dev_Cheese Press\



PROJECT INFO

FileName: Cheese Press 2x4 Lumber
Sheet Scale: 1:12
Created: 11/27/2019 9:27:42 AM
Last Saved: 11/30/2019 11:46:14 AM
DWG Path: I:\3D DEVELOPMENT\Solidworks-3d Dev_Cheese Press\